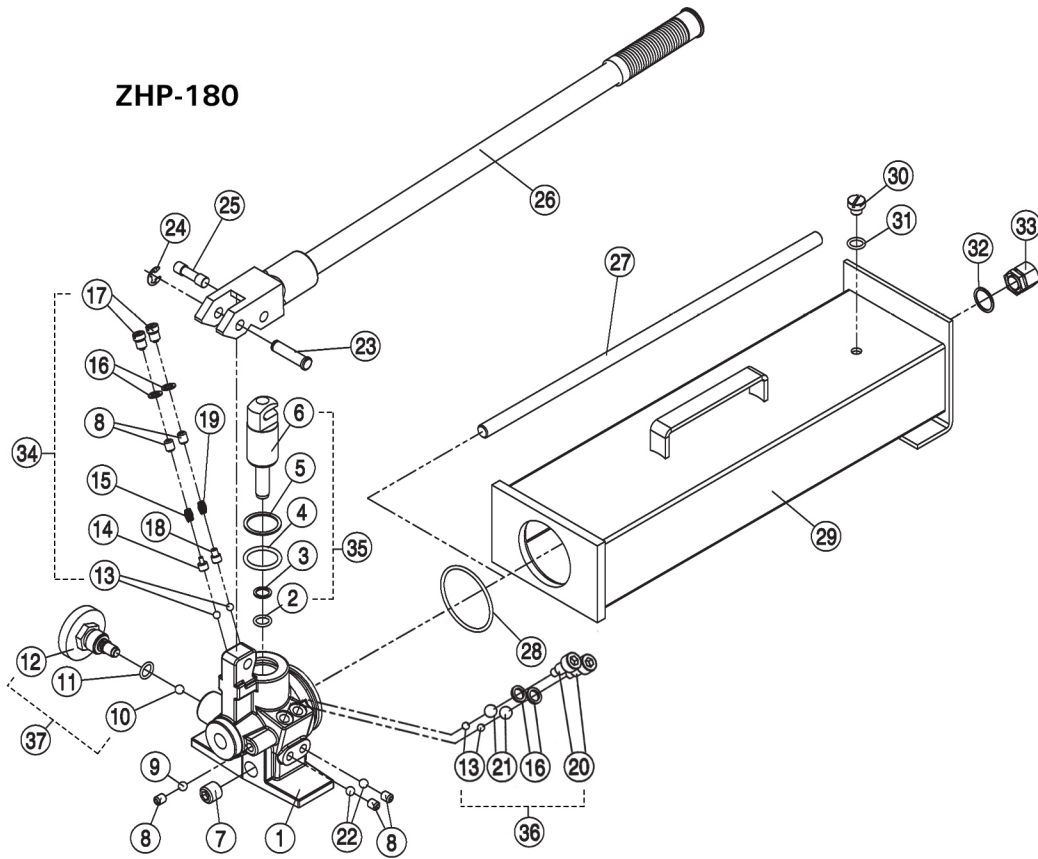


## ZHP-180



No.	Description	No.	Description	No.	Description
1	Pump Housing	14	Bearing	27	Screw
2	O-Ring*	15	Spring	28	O-Ring*
3	Backup Ring*	16	Washer	29	Reservoir
4	O-Ring*	17	Screw	30	Fill Plug
5	Backup Ring*	18	Bearing	31	O-Ring*
6	Pump Piston	19	Steel Ball	32	Gasket
7	Screw	20	Cover Screw	33	Nipple
8	Screw	21	Steel Ball	34	Pressure Valve Kit
9	Steel Ball	22	Steel Ball	35	Plunger Kit
10	Steel Ball	23	Pin	36	Relief Valve Pressure Kit
11	O-Ring*	24	E Ring	37	Release Valve Kit
12	Release Valve	25	Pin	38	Repair Kit (*)
13	Steel Ball	26	Handle		